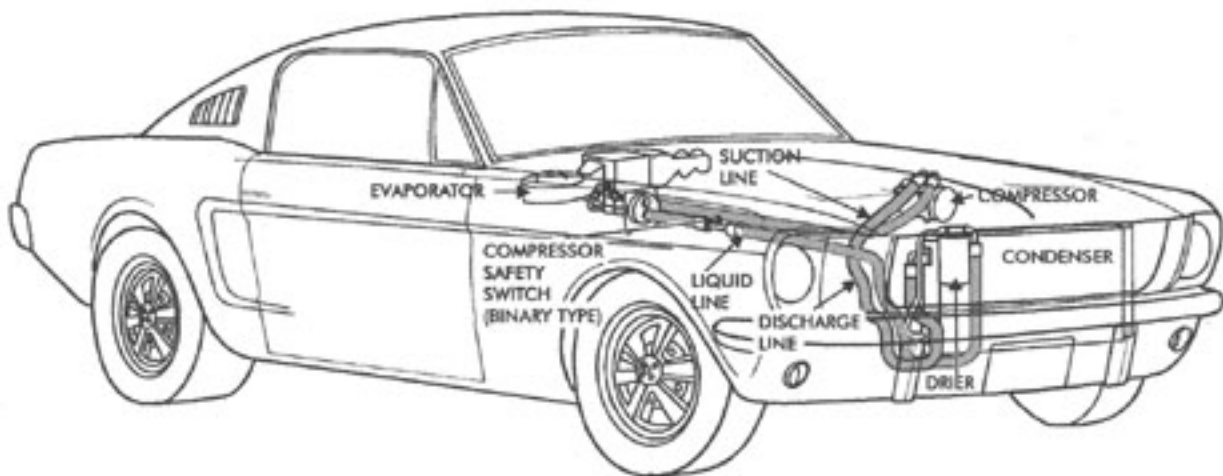


# VINTAGE AIR

•10305 IH 35 N•SAN ANTONIO•TEXAS 78233•PH 210 654-7171

## INSTALLATION INSTRUCTIONS 1967/68 MUSTANG (55067-VFZ-A)



Rev. 1/19/99 LWS

RV2-9/12/97 JC

REFRIDGERATION CAPACITIES: R-134a 1.8 lbs.  
R-12 2.0 lbs.

LUBRICANT CAPACITIES: NEW COMPRESSOR-NO ADDITIONAL OIL NEEDED  
USED COMPRESSOR-CONSULT VINTAGE AIR

## INSTALLATION INSTRUCTIONS 1967/68 MUSTANG

BEFORE STARTING THE INSTALLATION, CHECK THE FUNCTION OF THE VEHICLE (HORN, LIGHTS, ETC.) FOR PROPER OPERATIONS. STUDY THE INSTRUCTIONS, ILLUSTRATIONS AND DIAGRAMS. DISCONNECT THE BATTERY.

### PASSENGER COMPARTMENT

#### 1. REMOVE THE FOLLOWING (FIGURE 1).

1. Remove heater assembly (discard).
2. Remove heater duct (discard).
3. Remove OEM hoses for defroster ducts (discard).
4. Remove control panel.
5. Remove cover from louvers holes (discard).
6. Remove glove box and modify as Figure 9A on page 6 shows.

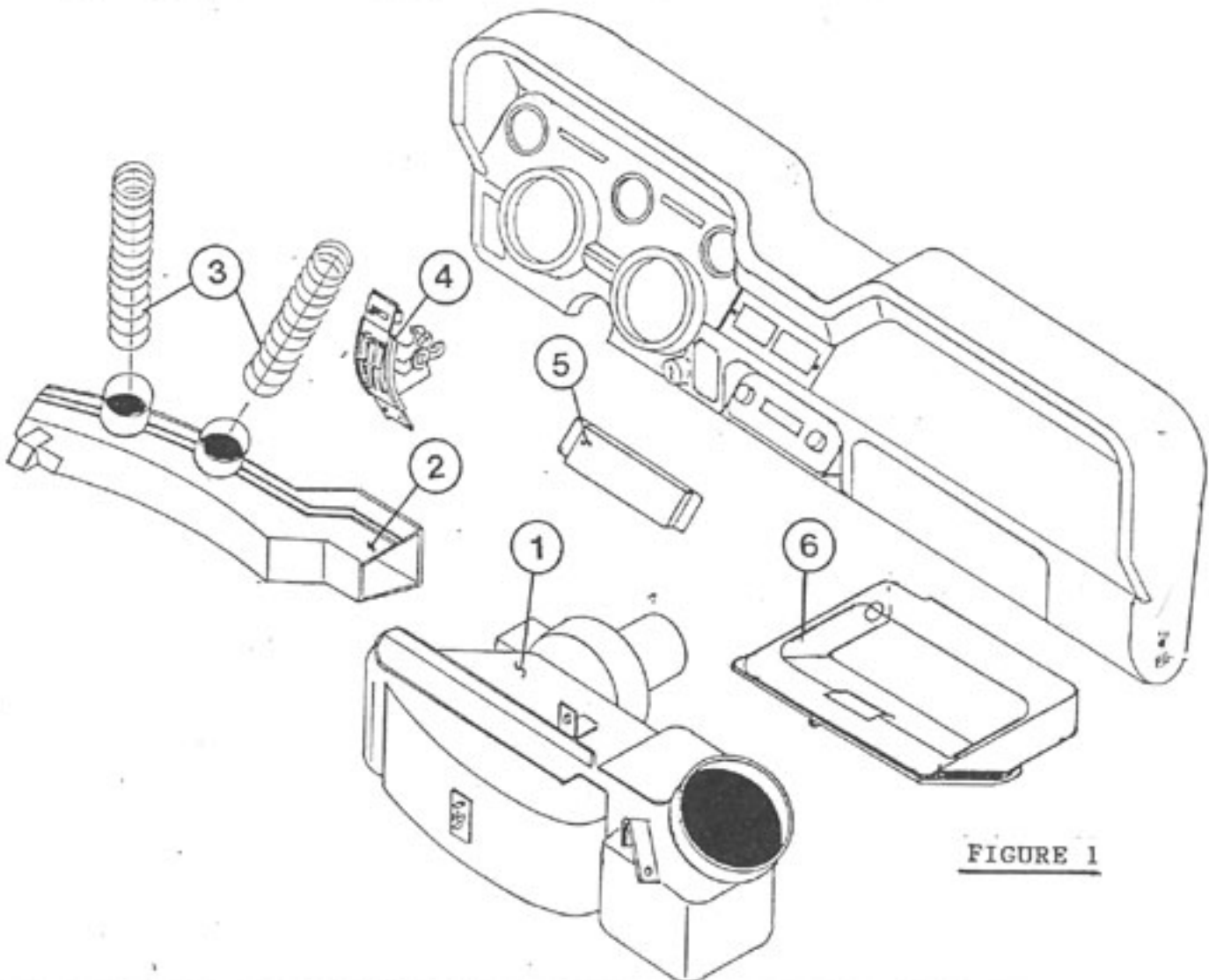


FIGURE 1

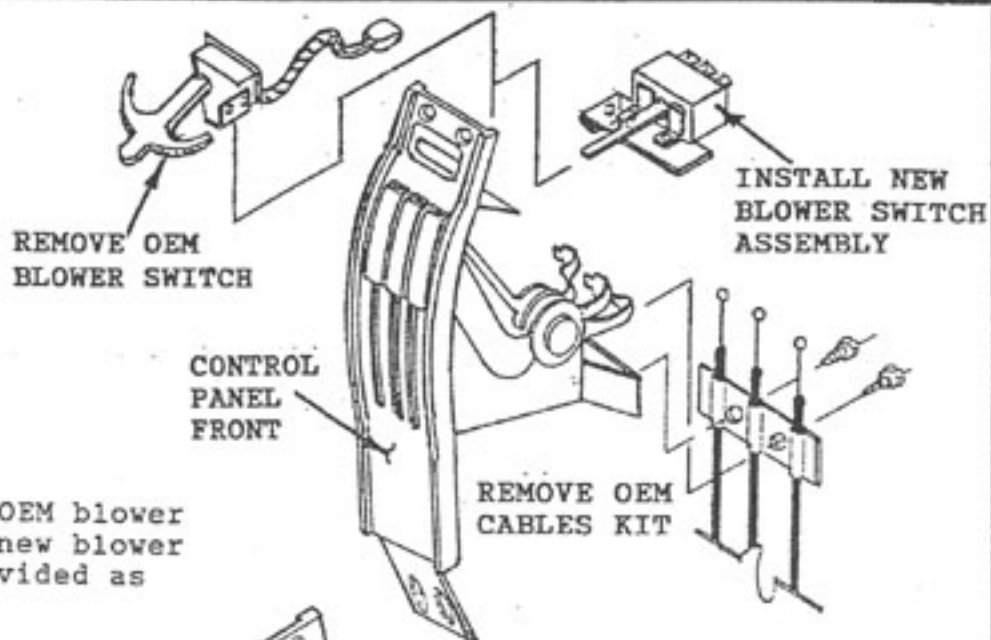
## PASSENGER COMPARTMENT

### CABLES INSTALLATION

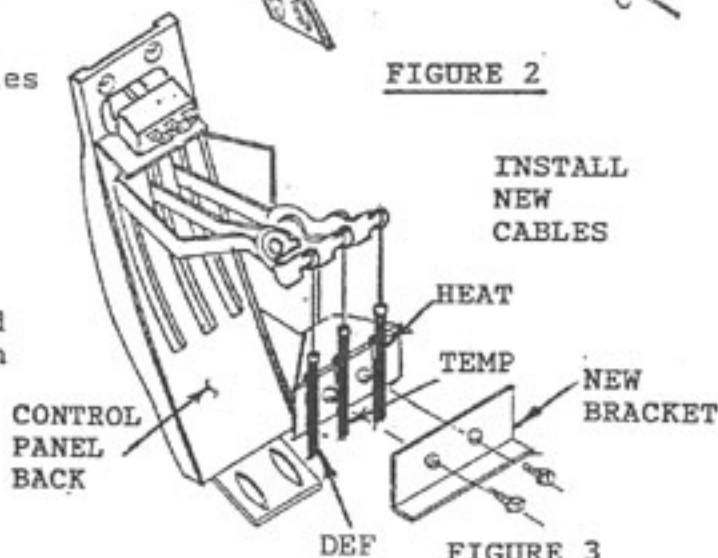
1. Remove and discard OEM blower switch and install new blower switch assembly provided as Figure 2 shows.
2. Remove and discard OEM cables kit from control panel as Figure 2 shows.
3. Install new cables provided at control panel and attach with bracket provided as Figure 3 shows.

**NOTE:** "TEMP" CABLE HAS TWO (2) DIFFERENT SIZE "EYES". SMALLER END GOES TO CONTROL PANEL. LARGER END GOES TO HEATER CONTROL VALVE.

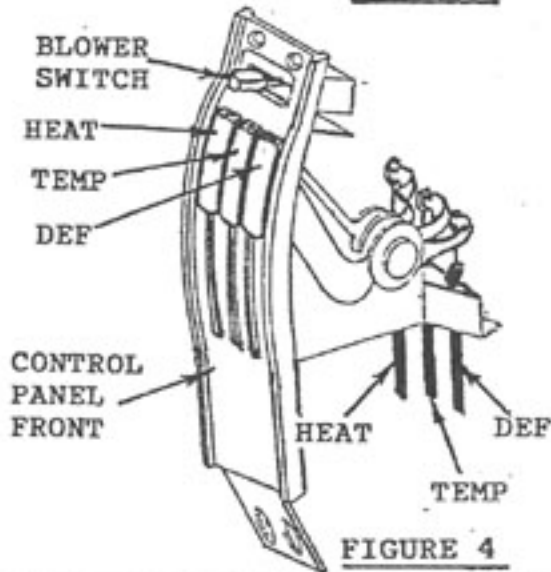
4. Position of levers and cables on control panel as Figure 4 shows.



**FIGURE 2**



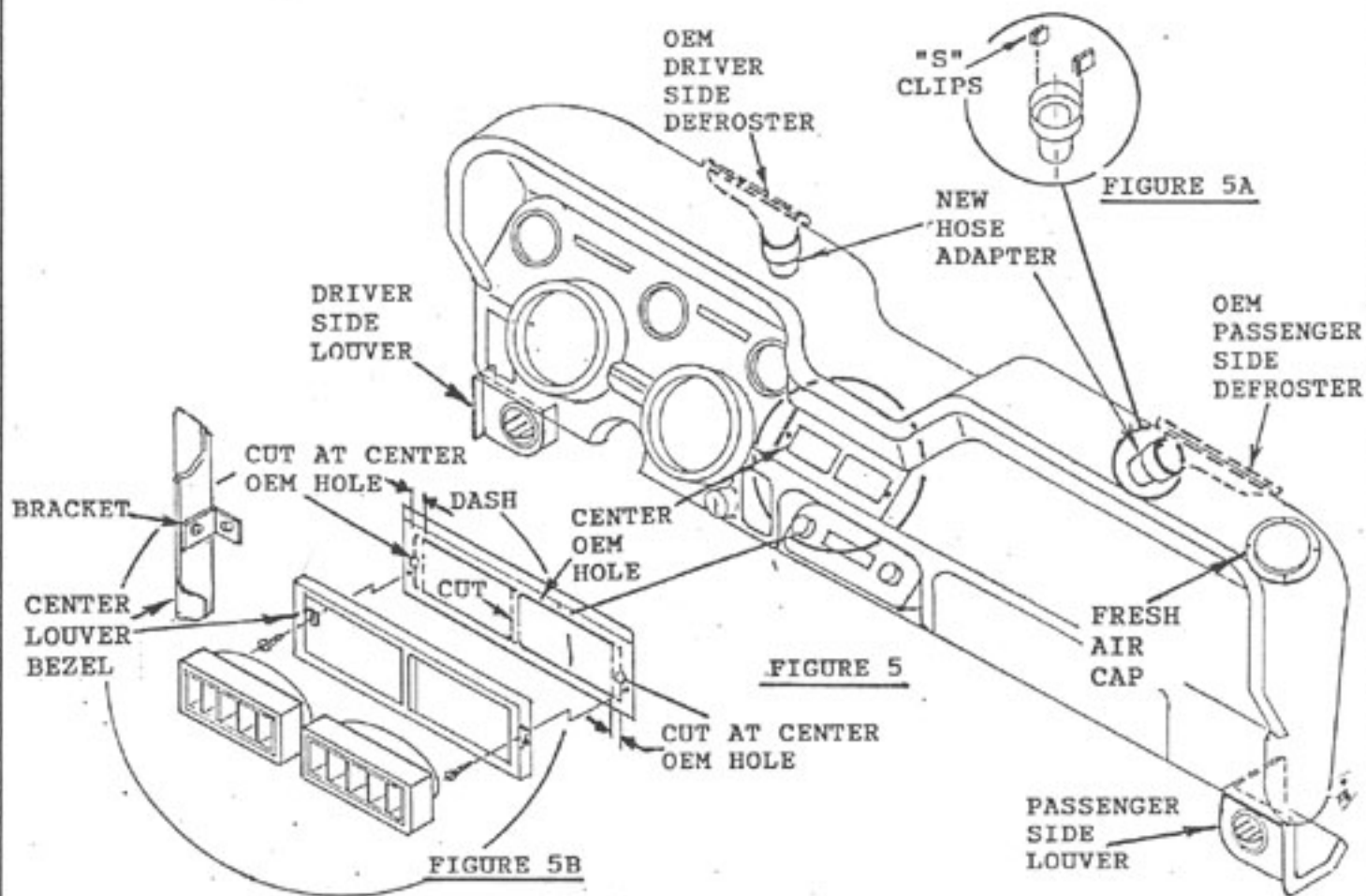
**FIGURE 3**



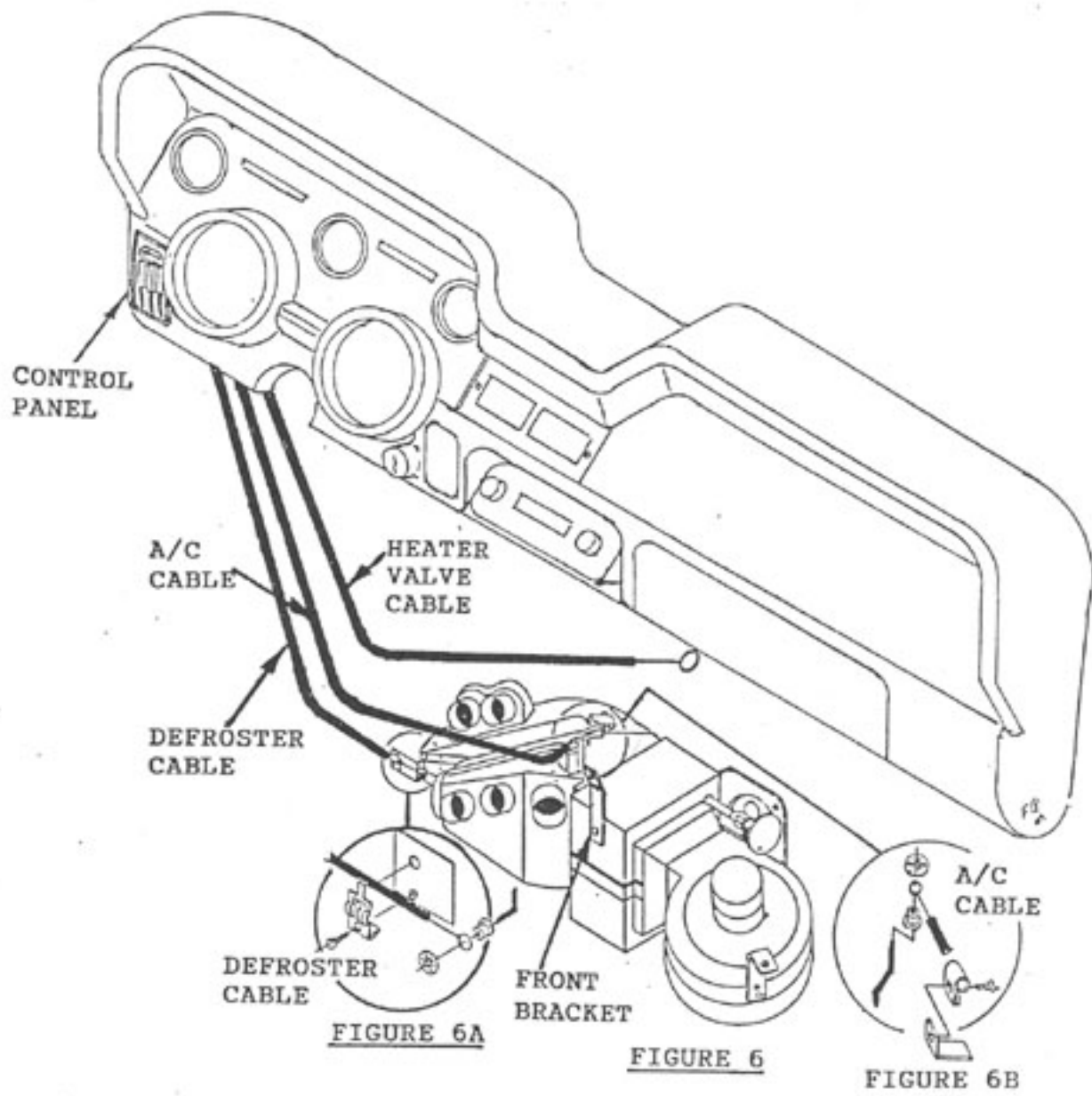
**FIGURE 4**

## EVAPORATOR INSTALLATION

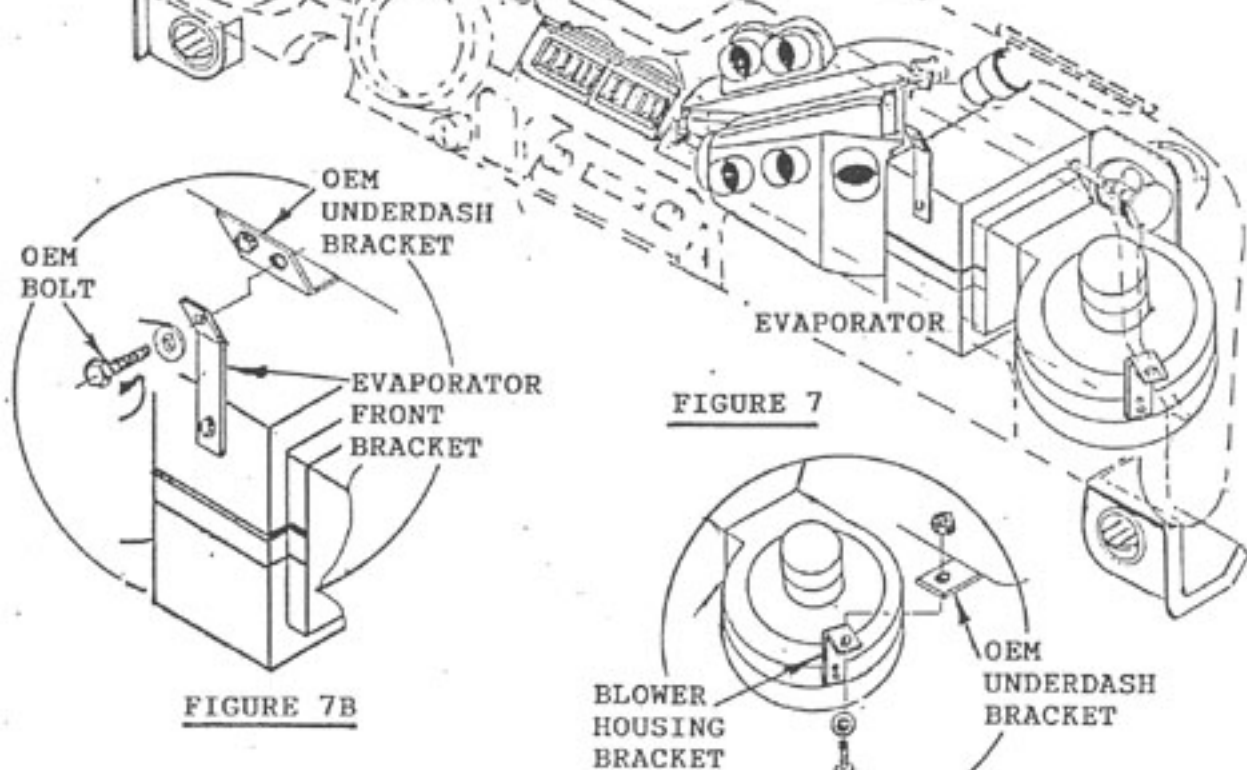
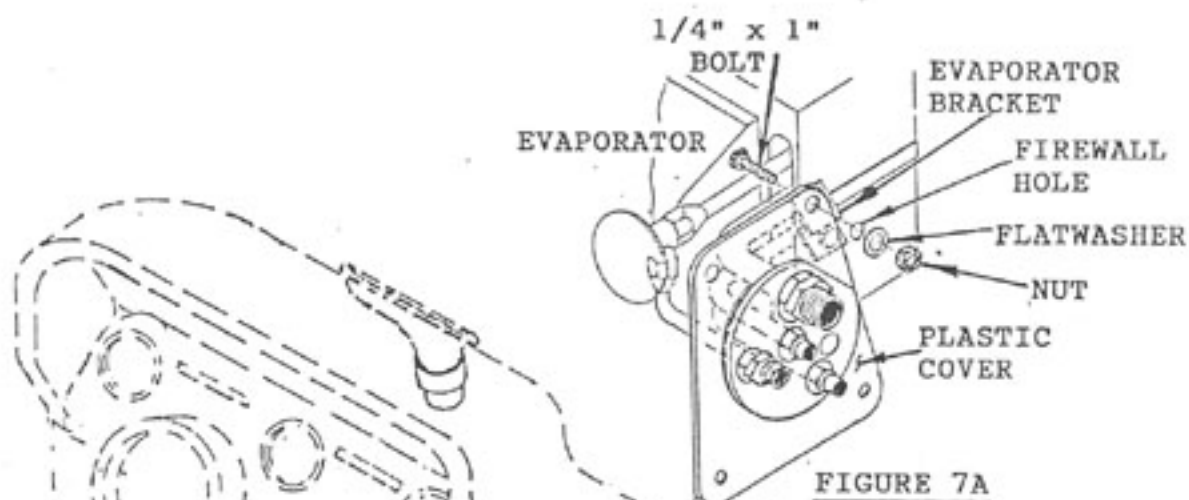
1. Install (2) new hose adapters provided at OEM defrosters with (2) "S" clips as Figure 5A shows.
2. Install fresh air cover with (4) screws as Figure 5 shows.
3. Attach driver and passenger side louvers at kick panel as Figure 5 shows.
4. Modify center OEM hole in dash as Figure 5B shows.
5. Attach new center louver bezel provided at center OEM hole on dash as Figure 5B shows.
6. Attach (2) louvers provided at louver bezel opening as Figure 5B shows.



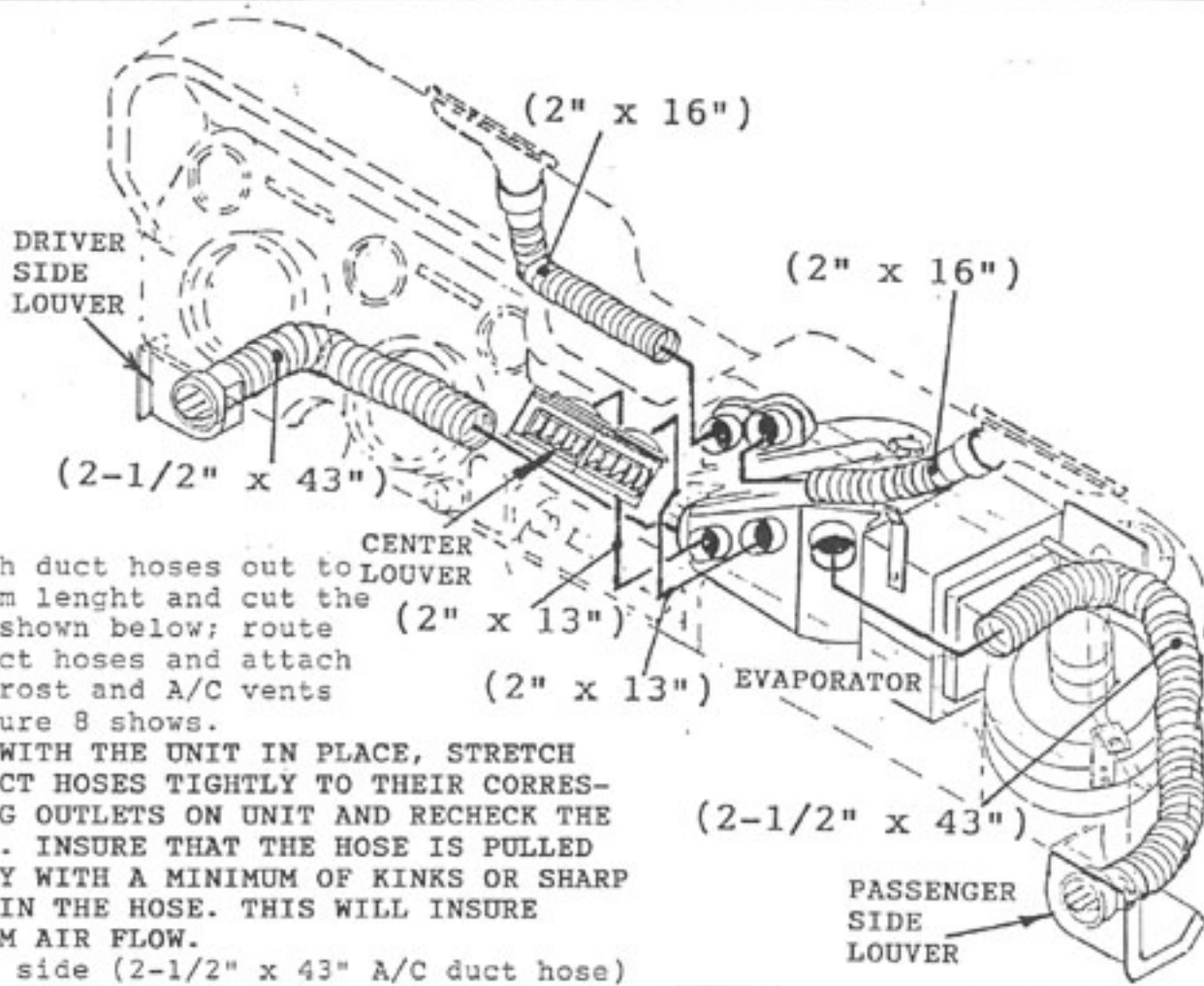
7. install OEM control panel with new cables assembled as Figure 6 shows.
8. Lay the unit on the floor and attach new cables as Figure 6A and 6B shows.
9. Install new front bracket on evaporator jack nut as Figure 6 shows.



10. Raise the evaporator up and align plastic cover with hose ends at OEM heater motor hole and attach bolt as Figure 7A shows.
11. Attach front evaporator bracket at underdash OEM bracket as Figure 7B shows.
12. Attach blower housing bracket at underdash OEM bracket as Figure 7C shows.



**FIGURE 7C**



13. Stretch duct hoses out to maximum length and cut the sizes shown below; route all duct hoses and attach to defrost and A/C vents as Figure 8 shows.

NOTE: WITH THE UNIT IN PLACE, STRETCH THE DUCT HOSES TIGHTLY TO THEIR CORRESPONDING OUTLETS ON UNIT AND RECHECK THE LENGTH. INSURE THAT THE HOSE IS PULLED TIGHTLY WITH A MINIMUM OF KINKS OR SHARP BENDS IN THE HOSE. THIS WILL INSURE MAXIMUM AIR FLOW.

Driver side (2-1/2" x 43" A/C duct hose)  
(2" x 16" defroster duct hose).

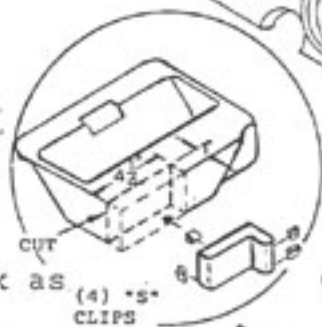
Passenger side (2-1/2" x 43" A/C duct hose)  
(2" x 16" defroster duct hose).

Center vent (2" x 13" driver side duct hose)  
(2" x 13" passenger side duct hose).

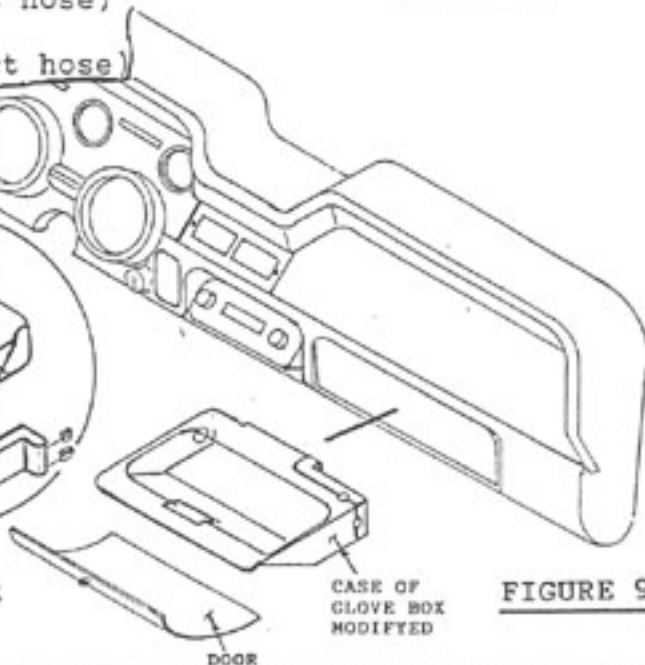
**FIGURE 8**

### GLOVE BOX INSTALLATION

1. Remove glove box assembly from dash as Figure 9 shows.
2. Remove glove box door and cut modify corner of glove box as Figure 9A shows.
3. Install glove box modifier as Figure 9 shows.
4. Re-attach all items removed at this time.



**FIGURE 9A**



**FIGURE 9**

## ENGINE COMPARTMENT

### 1. COMPRESSOR INSTALLATION

1. Refer to separate instructions to install compressor bracket.
2. Install compressor and bracket using hardware included with bracket.

### CONDENSER ASSEMBLY INSTALLATION

1. Remove OEM radiator fan as Figure 10 shows.
2. Remove (4) OEM radiator bolts as Figure 10 shows.
3. Drill (1) 1-1/4" diam hole for the #8 A/C hose beside OEM hole as Figure 10 shows.
4. Install (2) rubber grommets as Figure 10 shows.

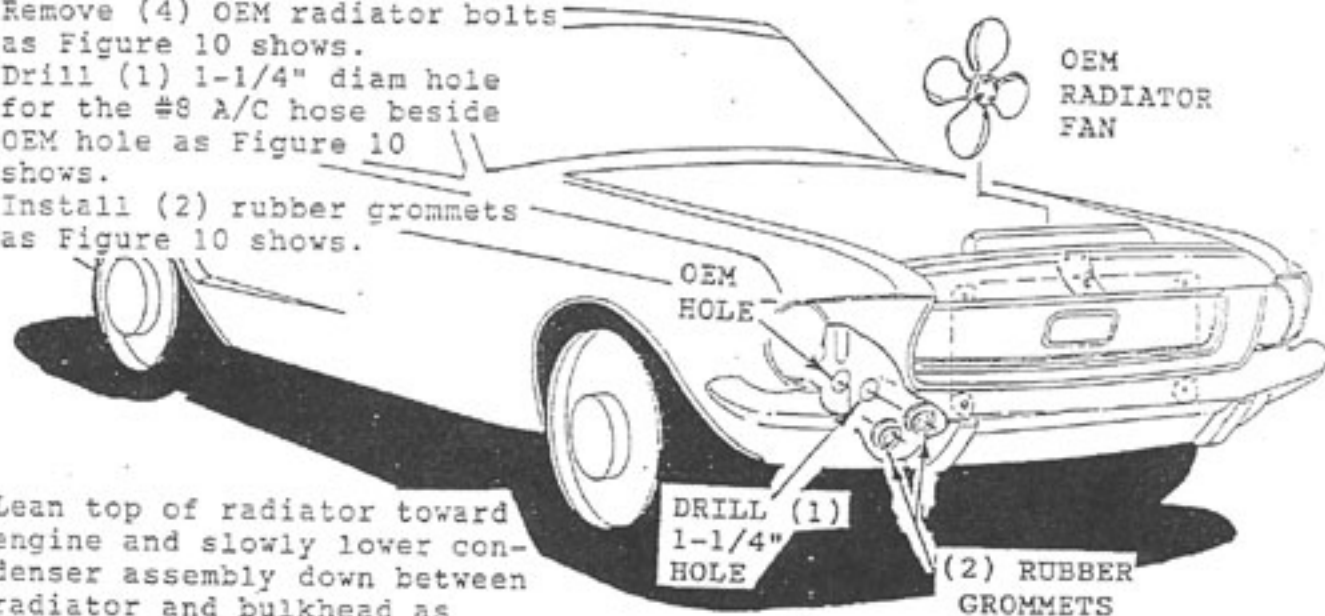


FIGURE 10

5. Lean top of radiator toward engine and slowly lower condenser assembly down between radiator and bulkhead as Figure 11 shows.
6. Install condenser bracket with OEM radiator bolts as Figure 11 shows.

### CONDENSER ASSEMBLY

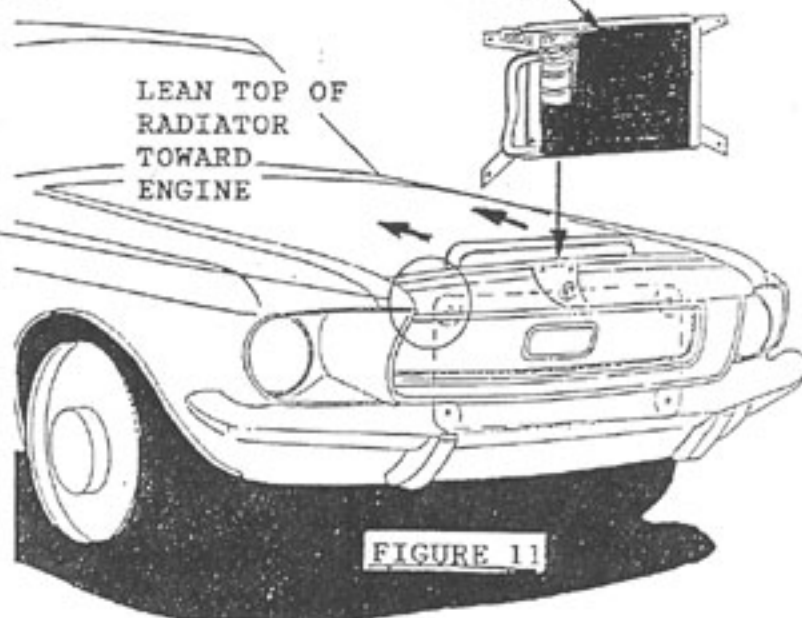


FIGURE 11

### PASSENGER SIDE HORN RELOCATING MOUNTING HOLE

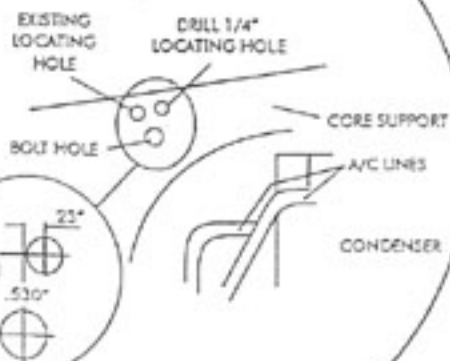


FIGURE 11a



## HOSE KIT INSTRUCTIONS

1. Install heater valve, and hoses as Figure 12A shows.

**REFRIGERATION HOSES (FIGURE 12)** Note: steps 1- 3 are for 6cyl. engines. And 4 - 6 are for V-8 engines

1. Lubricate and attach #10 suction hose to the compressor (1/2" I.D. hose 36" inches long, straight female O'Ring fitting on firewall end and 90° female O'Ring fitting on compressor end).
2. Lubricate and attach #8 discharge hose to the compressor (13/32" I.D. hose 36" inches long with 90° female O'Ring fitting on condenser end and 90° female O'Ring fitting on compressor end).
3. Lubricate and attach #6 liquid hose from evaporator to drier (5/16" I.D. hose 57" inches long with 45° female O'Ring fitting on the evaporator end and 90° female O'Ring fitting on drier end).
4. Lubricate and attach #10 suction hose to the compressor (1/2" I.D. hose 50 1/2" inches long, 90° female O'Ring fitting on firewall end and 135° female O'Ring fitting on compressor end).
5. Lubricate and attach #8 discharge hose to the compressor (13/32" I.D. hose 46" inches long with 90° female O'Ring fitting on condenser end and 90° female O'Ring fitting on compressor end).
6. Lubricate and attach #6 liquid hose from evaporator to drier (5/16" I.D. hose 57" inches long with 45° female O'Ring fitting on the evaporator end and 90° female O'Ring fitting on drier end).

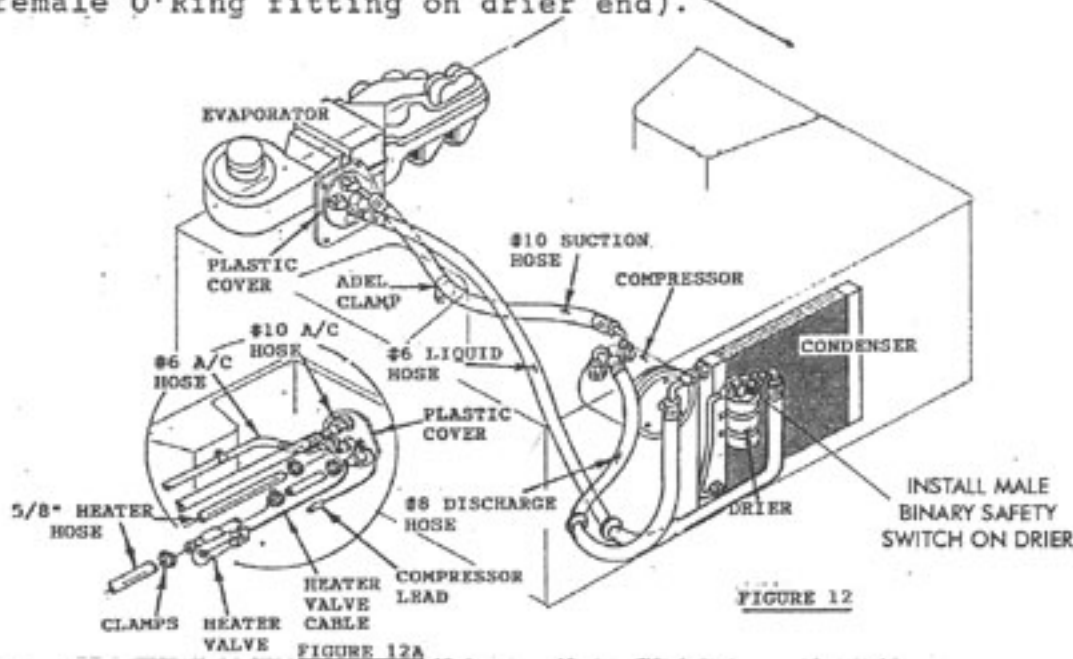
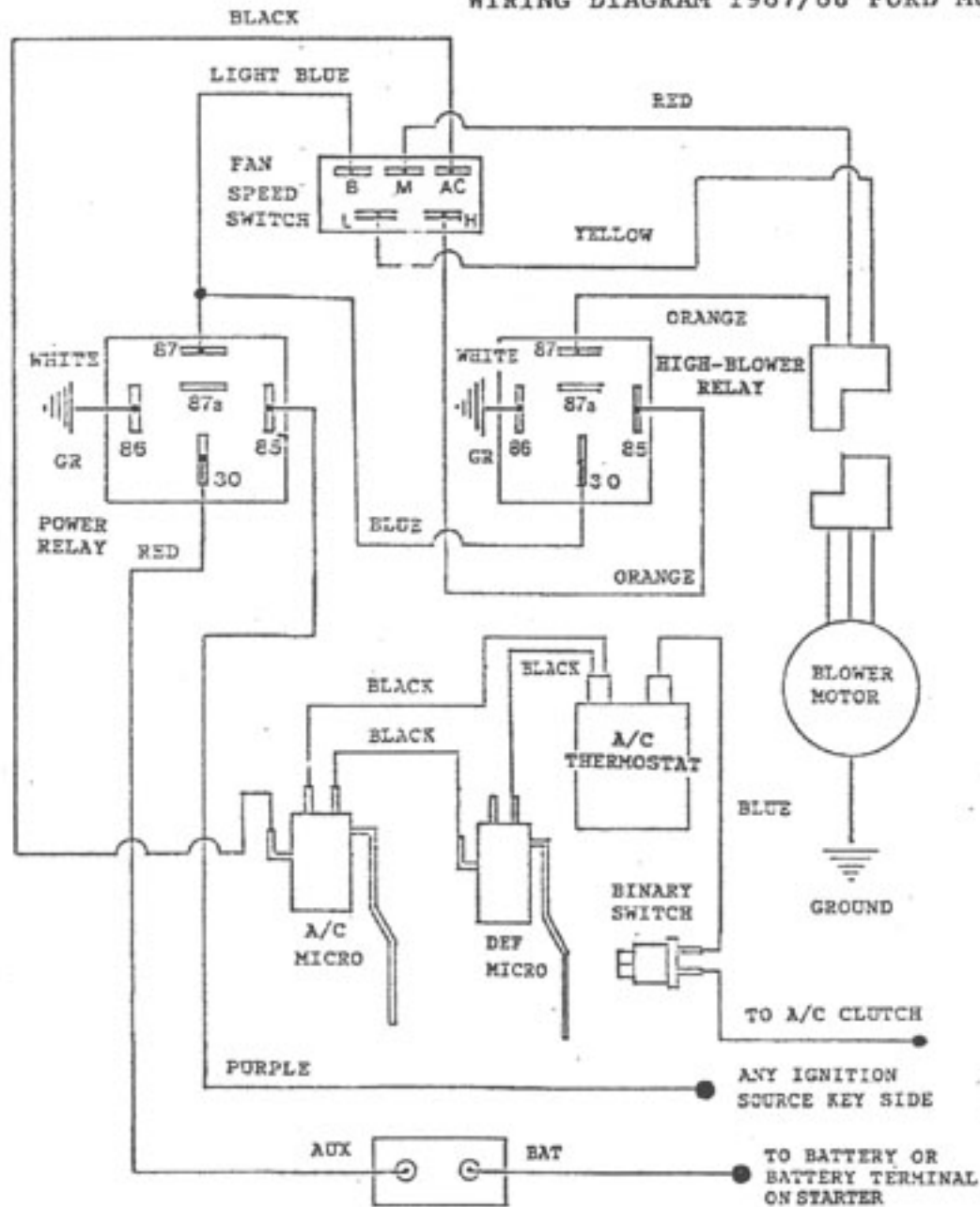


FIGURE 12A

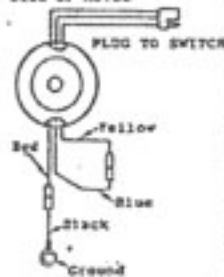
Re-attach all items removed previously. See page 7, figure 11a for passenger side horn relocating mounting hole.

Your system is ready to evacuate and charge. This should be done only by a certified air conditioning technician.

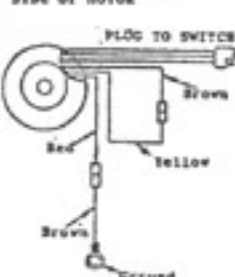
## WIRING DIAGRAM 1967/68 FORD MUSTANG

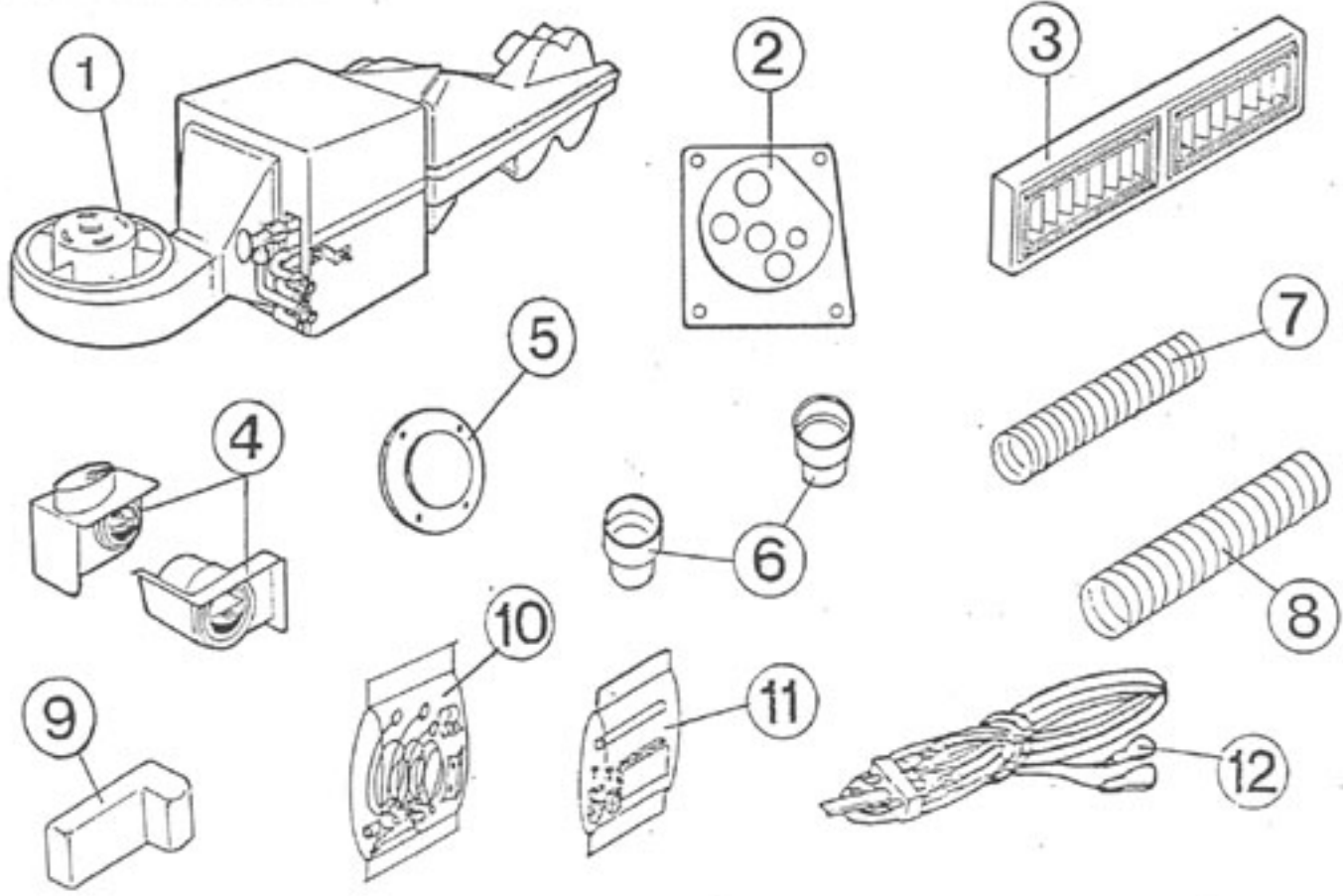


TYPE 1 MOTOR  
3 WIRE OUT OF EACH  
SIDE OF MOTOR



TYPE 2 MOTOR  
6 WIRES OUT OF ONE  
SIDE OF MOTOR





D.O.# \_\_\_\_\_

1967-68 MUSTANG  
PACKING LIST

No.	QTY.	PART NUMBER	DESCRIPTION
1	1	55378-VFE-A	EVAPORATOR SUB CASE
2	1	62353-VFE	PLASTIC HOSE COVER
3	1	63319-VFL	CENTER LOUVER ASSEMBLY
4	1	63318-VFL	LOUVER KIT
5	1	62354-VFE	FRESH AIR CAP
6	2	49168-VCI	HOSE ADAPTER
7	5	06200-VUE	2" x 5' DUCT HOSE
8	9	06250-VUE	2½" x 9' DUCT HOSE
9	1	49170-VFI	GLOVE BOX CAP
10	1	46468-VFH	CABLE KIT
11	1	63271-VFE	DRAIN KIT
12	1	49068-VFI	WIRING KIT

DATE: \_\_\_\_\_  
 CHECKED: \_\_\_\_\_  
 PACKED: \_\_\_\_\_